



Mod. 107/6/R HYDRAULIC PULLER FOR CONTINUOUS CONDUCTORS STRINGING OPERATION



1



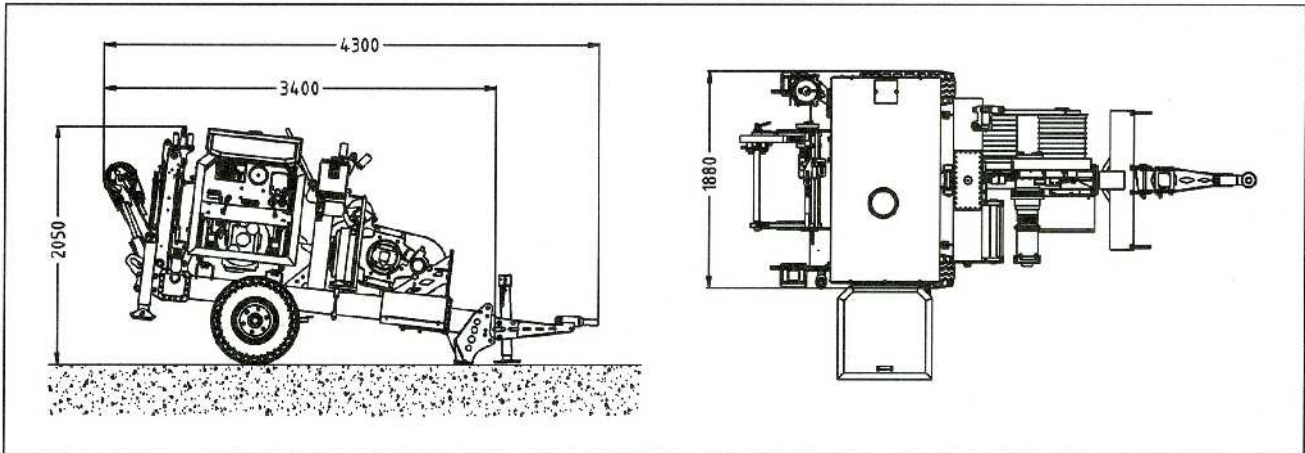
2



3

AUTONOMOUS MOVEMENT VERSION





Mod. 107/6/R HYDRAULIC PULLER FOR CONTINUOUS CONDUCTORS STRINGING OPERATION

CHARACTERISTICS AND PERFORMANCES

MAX PULLING CAPACITY: 70 kN

SPEED: Gradual and variable - kN 70 from 0 to 33 m/min'
- kN 30 from 0 to 75 m/min'

CHARACTERISTICS: - Hydraulic circuit with negative brake system.

INSTRUMENTATION: - Dynamometer for direct reading of pulling value with presetting load set-up device
- Gauges for hydraulic system and power engine lights
- Control lever
- Emergency stop button
- Counter-meter device
- Hydraulic distributor for auxiliary circuits control

BULL-WHEELS: - n° 2 capstans thermally treated steel with 7 grooves each 400 mm bottom dia. max. rope 16 mm dia.

REEL-WINDER: - Automatic reel-winder and level wind in synchronism of pulling direction and speed, suitable for steel standard bobbins 1100-1400 mm dia. with rope tension adjustment device

ENGINE: - Diesel engine 83 HP / 61 kW liquid cooling version with electrical starter device

FEATURES: - Heat exchanger for oil cooling, hydraulic back stabilizers, front folding share with earthing rod and towing bar hydraulically controlled

TRANSPORT: - Rigid axle with tyres suitable for towing up to 30 Km/h

LIFTING: - Upper lifting attachment point balanced type and anchoring attachments

WEIGHT: 2500 Kg approx

DIMENSIONS: 3400x1880x2050 mm

