



Mod. 107/16/R HYDRAULIC PULLER FOR CONTINUOUS CONDUCTORS STRINGING OPERATION

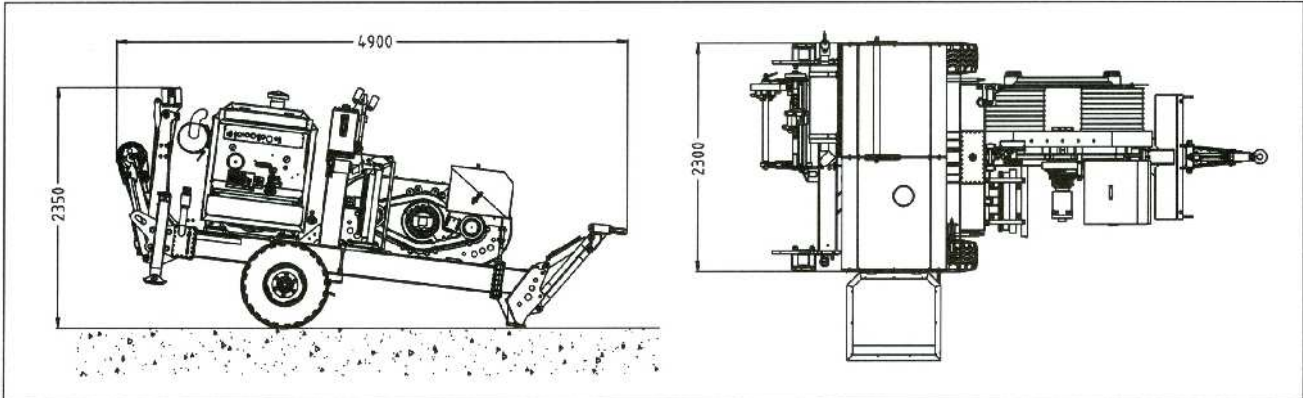


1



2





Mod. 107/16/R

HYDRAULIC PULLER FOR CONTINUOUS CONDUCTORS STRINGING OPERATION**CHARACTERISTICS AND PERFORMANCES****MAX PULLING CAPACITY:** 160 kN**SPEED:** Gradual and variable - kN 160 from 0 to 25 m/min'
- kN 70 from 0 to 83 m/min'**CHARACTERISTICS:** - Hydraulic circuit with negative brake system.**INSTRUMENTATION:** - Dynamometer for direct reading of pulling value with presetting load set-up device
- Gauges for hydraulic system and power engine lights
- Control lever
- Emergency stop button
- Counter-meter device
- Hydraulic distributor for auxiliary circuits control**BULL-WHEELS:** - n° 2 capstans thermally treated steel with 8 grooves each 600 mm bottom dia. max. rope 24 mm dia.**REEL-WINDER:** - Automatic reel-winder and level wind in synchronism of pulling direction and speed, suitable for steel standard bobbins 1100-1400 mm dia. with rope tension adjustment device**ENGINE:** - Diesel engine 230 HP / 169 kW liquid cooling version with electrical starter device**FEATURES:** - Heat exchanger for oil cooling, hydraulic back stabilizers, front folding share with earthing rod and towing bar hydraulically controlled.**TRANSPORT:** - Rigid axle with tyres suitable for towing up to 30 Km/h**LIFTING:** - Upper lifting attachment point balanced type and anchoring attachments**WEIGHT:** 5500 Kg approx**DIMENSIONS:** 4900x2300x2350 mm