



Mod. 108/6/AFO

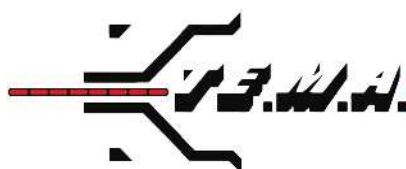
HYDRAULIC TENSIONER / PULLER FOR CONTINUOUS CONDUCTORS STRINGING OPERATIONS

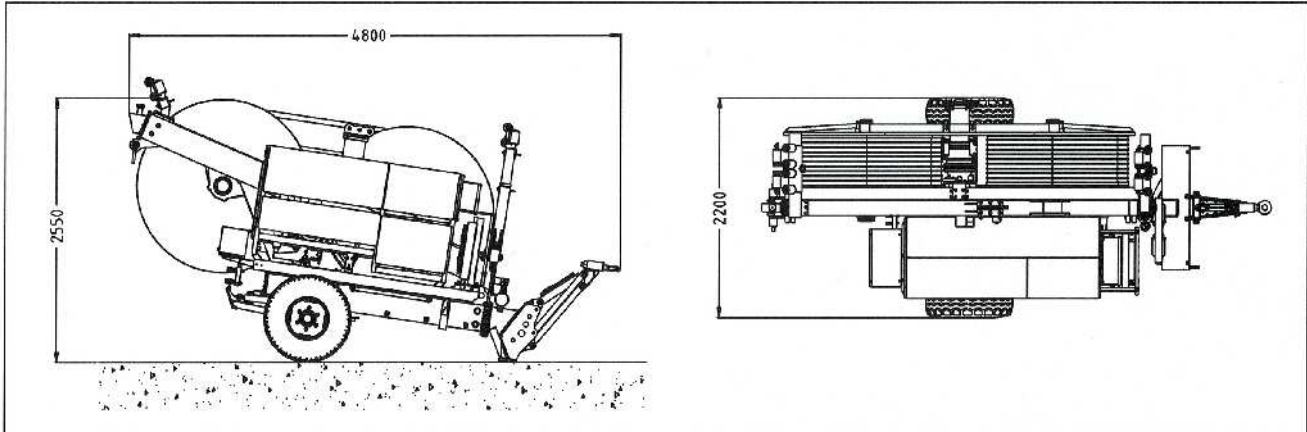


1



2





Mod. 108/6/AFO

HYDRAULIC TENSIONER / PULLER FOR CONTINUOUS CONDUCTORS STRINGING OPERATIONS**CHARACTERISTICS AND PERFORMANCES***TENSIONER PERFORMANCES:* Max capacity 70 kN

Speed 0 to 5 Km/h

PULLER PERFORMANCES: Max capacity 70 kN

Speed gradual and variable - kN 20 from 0 to 83 m/min'

- kN 70 from 0 to 25 m/min'

CHARACTERISTICS: - Hydraulic circuit with negative brake system

- 2 power take hydraulic circuits with quick coupling pack for feed 2 remote reel-stand or reel-winder arm with driven head equipped, like: (CT0407-V0001 + CT0407TI-S0001 and ATR4-S0000)

INSTRUMENTATION: - Dynamometer for direct reading of pulling value with presetting load set-up device (just for use like puller)

- Gauges for hydraulic system and power engine lights

- Control lever and valve

- Emergency stop button

- Counter-meter device

- Hydraulic distributor for auxiliary circuits control

ADHERENCE WHEELS: 1500 mm dia. n° 10 multi grooves with "ADIPRENE" interchangeable lining sectors system suitable for conductor up to 40 mm dia. and pulling rope 20 mm dia.*ENGINE:* - Diesel engine 80 HP / 59 kW liquid cooling version with electrical starter device*FEATURES:* - Heat exchanger for oil cooling, frame structure incorporate hydraulic oil / diesel tanks hydraulically controlled back stabilizers front folding share with earthing rod, towing bar with mechanical jack and cable guiding rollers device*TRANSPORT:* - Rigid axle with tyres suitable for towing up to 30 Km/h*LIFTING:* - Upper lifting attachment point balanced type and anchoring attachments*WEIGHT:* 4800 Kg approx*DIMENSIONS:* 4800x2200x2550 mm