



Mod. 108/8/AF

HYDRAULIC TENSIONER / PULLER FOR CONTINUOUS CONDUCTORS STRINGING OPERATIONS



1

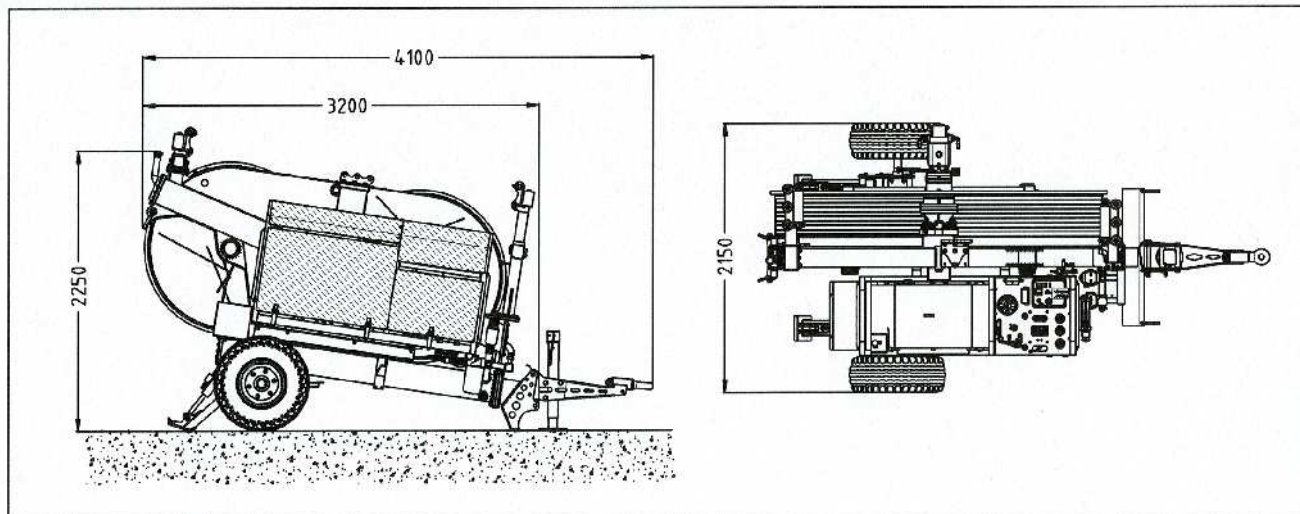


2



3





Mod. 108/8/AF HYDRAULIC TENSIONER / PULLER FOR CONTINUOUS CONDUCTORS STRINGING OPERATIONS

CHARACTERISTICS AND PERFORMANCES

TENSIONER PERFORMANCES: Max capacity 90 kN

Speed 0 to 5 Km/h

PULLER PERFORMANCES: Max capacity 90 kN

Speed gradual and variable - kN 35 from 0 to 83 m/min'

- kN 90 from 0 to 33 m/min'

CHARACTERISTICS: - Hydraulic circuit with negative brake system

- 2 power take hydraulic circuits with quick coupling pack for feed 2 remote reel-stand or reel-winder arm with driven head equipped, like: (CT0407-V0001 + CT0407TI-S0001 and ATR4-S0000)

INSTRUMENTATION: - Dynamometer for direct reading of pulling value with presetting load set-up device (just for use like puller)

- Gauges for hydraulic system and power engine lights

- Control lever and valve

- Emergency stop button

- Counter-meter device

- Hydraulic distributor for auxiliary circuits control

ADHERENCE WHEELS: 1200 mm dia. n° 8 grooves with "ADIPRENE" interchangeable lining sectors system suitable for conductors up to 36 mm dia. and pulling rope 18 mm dia.

ENGINE: - Diesel engine 126 HP / 93 kW liquid cooling version with electrical starter device

FEATURES: - Heat exchanger for oil cooling, frame structure incorporate hydraulic oil / diesel tanks hydraulically controlled back stabilizers front folding share with earthing rod, towing bar with mechanical jack and cable guiding rollers device

TRANSPORT: - Rigid axle with tyres suitable for towing up to 30 Km/h

LIFTING: - Upper lifting attachment point balanced type and anchoring attachments

WEIGHT: 3900 Kg approx

DIMENSIONS: 3200x2150x2250 mm

