



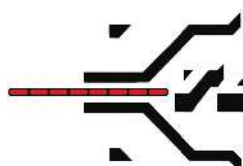
Mod. 108/8/AFO HYDRAULIC TENSIONER / PULLER FOR CONTINUOUS CONDUCTORS STRINGING OPERATIONS

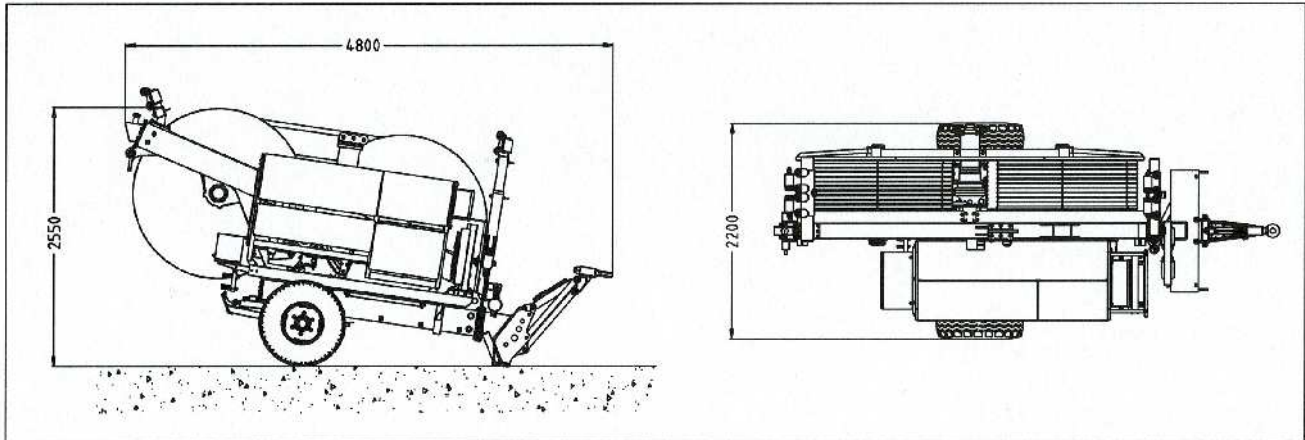


1



2





**Mod. 108/8/AFO      HYDRAULIC TENSIONER / PULLER FOR CONTINUOUS CONDUCTORS STRINGING OPERATIONS**

### CHARACTERISTICS AND PERFORMANCES

**TENSIONER PERFORMANCES:** Max capacity 90 kN

Speed 0 to 5 Km/h

**PULLER PERFORMANCES:** Max capacity 90 kN

Speed gradual and variable - kN 30 from 0 to 83 m/min'

- kN 90 from 0 to 33 m/min'

**CHARACTERISTICS:** - Hydraulic circuit with negative brake system

- 2 power take hydraulic circuits with quick coupling pack for feed 2 remote reel-stand or reel-winder arm with driven head equipped, like: ( CT0407-V0001 + CT0407TI-S0001 and ATR4-S0000 )

**INSTRUMENTATION:** - Dynamometer for direct reading of pulling value with presetting load set-up device ( just for use like puller )

- Gauges for hydraulic system and power engine lights

- Control lever and valve

- Emergency stop button

- Counter-meter device

- Hydraulic distributor for auxiliary circuits control

**ADHERENCE WHEELS:** 1500 mm dia. n° 10 grooves with "ADIPRENE" interchangeable lining sectors system suitable for conductors up to 40 mm dia. and pulling rope 22 mm dia.

**ENGINE:** - Diesel engine 126 HP / 93 kW liquid cooling version with electrical starter device

**FEATURES:** - Heat exchanger for oil cooling, frame structure incorporate hydraulic oil / diesel tanks hydraulically controlled back stabilizers front folding share with earthing rod, towing bar with mechanical jack and cable guiding rollers device

**TRANSPORT:** - Rigid axle with tyres suitable for towing up to 30 Km/h

**LIFTING:** - Upper lifting attachment point balanced type and anchoring attachments

**WEIGHT:** 5100 Kg approx

**DIMENSIONS:** 4800x2200x2550 mm

