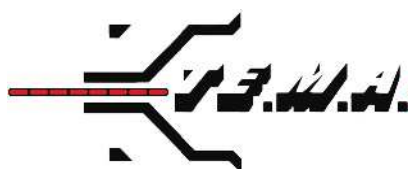
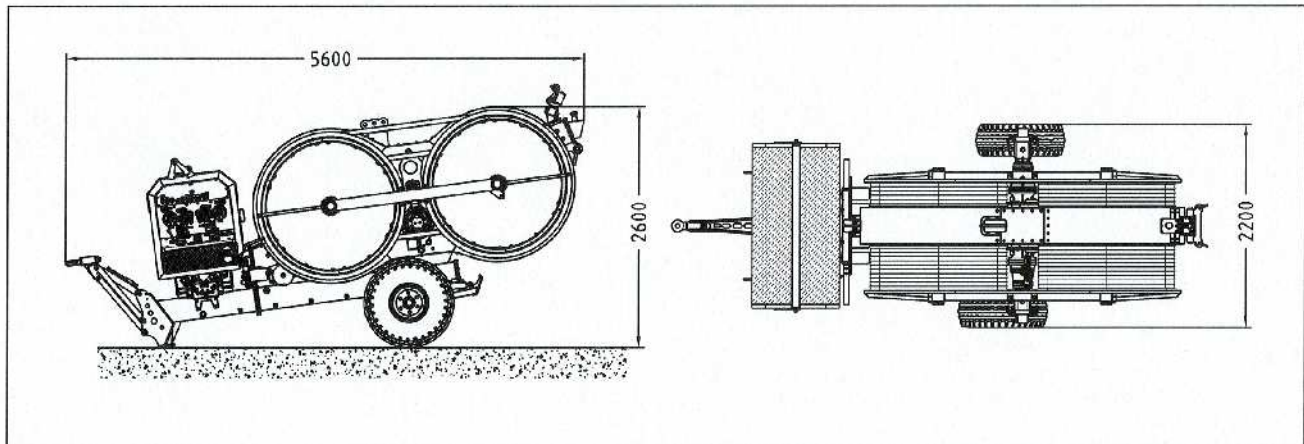




Mod. 108/12/FAO

HYDRAULIC TENSIONER FOR CONTINUOUS STRINGING OPERATIONS FOR CONDUCTORS IN "BUNDLE" CONFIGURATION





Mod. 108/12/FAO HYDRAULIC TENSIONER FOR CONTINUOUS STRINGING OPERATIONS FOR CONDUCTORS IN "BUNDLE" CONFIGURATION

CHARACTERISTICS AND PERFORMANCES

TENSIONER PERFORMANCES: Max capacity 130 kN

Speed 0 to 5 Km/h

PULL BACK PERFORMANCES: Max capacity 120 kN

Speed: 40 m/min' at 40 kN

10 m/min' at 120 kN

CHARACTERISTICS: - Hydraulic circuit with negative brake system
 - 3 power take hydraulic circuits with quick coupling pack for feed 3 remote reel-stand or reel-winder arm with driven head equipped, like: (CT0407-V0001 + CT0407TI-S0001)

INSTRUMENTATION: - Dynamometer for direct reading tensioning-pull back values, presetting load set-up device (just for pulling back operation)

- Gauges for hydraulic system and power engine lights for control
- Control lever and valve
- Emergency stop button
- Counter-meter device
- Hydraulic distributor for auxiliary circuits control

ADHERENCE WHEELS: 1500 mm dia. n° 5 +10 grooves with "ADIPRENE" interchangeable lining sectors system suitable for 1, 2 or 3 conductors up to 40 mm dia. and pulling rope 18 mm dia.

ENGINE: - Diesel engine 64 HP / 47 kW liquid cooling version with electrical starter device

FEATURES: - Heat exchanger for oil cooling, frame structure incorporate hydraulic oil / diesel tanks, front share with earthing rod, towing bar, rear stabilizers hydraulically controlled and cable guiding rollers device

TRANSPORT: - Rigid axle with tyres suitable for towing up to 30 Km/h

LIFTING: - Upper lifting attachment point balanced type and anchoring attachments

WEIGHT: 7000 Kg approx

DIMENSIONS: 5600x2200x2600 mm

