



Mod. 108/4.4/HHAFO

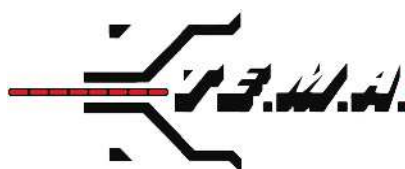
HYDRAULIC TENSIONER/PULLER FOR CONTINUOUS STRINGING OPERATIONS FOR CONDUCTORS IN "BUNDLE" CONFIGURATION

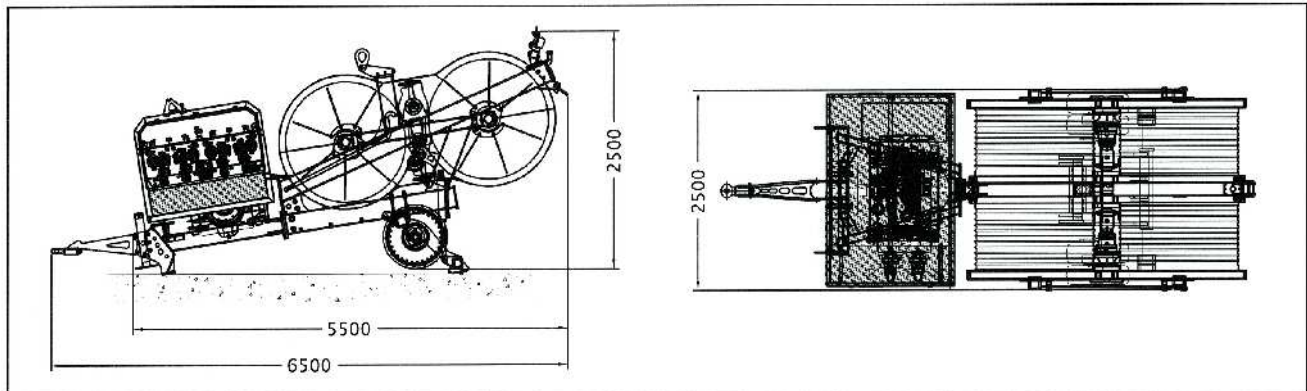


1



2





Mod. 108/4.4/HHAFO

**HYDRAULIC TENSIONER/PULLER FOR CONTINUOUS STRINGING OPERATIONS FOR CONDUCTORS IN "BUNDLE" CONFIGURATION****CHARACTERISTICS AND PERFORMANCES***TENSIONER PERFORMANCES:* Max capacity 4x45 kN or 2x90 kN or 1x180 kN

Speed 0 to 5 Km/h

*PULL BACK PERFORMANCES:* Max capacity 4x45 kN or 2x90 kN or 1x180 kN

Speed gradual and variable 0 to 50 m/min' ( at 1x160 kN )

0 to 84 m/min' ( at 1x 80 kN )

*CHARACTERISTICS:* - 4 independent hydraulic circuits with negative brake system with mechanical devices admitting to match between them the pairs of adherence wheels redoubling up to two-three or four time the capacity  
 - 4 power take hydraulic circuits with quick coupling pack for feed 4 remote reel-stand or reel-winder arm with driven head equipped, like: (CT0407-V0001 + CT0407TI-S0001 and ATR4-S0000 )

*INSTRUMENTATION:* - 4 Dynamometers for direct reading tensioning-pull back values, presetting load set-up device (just for pulling back operation)

- Gauges for hydraulic system and power engine lights for control

- Snap switch for independent / unified use

- 4 Control levers / valve for independent control and/or centralized lever / valve for unified control

- Emergency stop button

- 4 Counter-meter device

- Hydraulic distributors for auxiliary circuits control

*ADHERENCE WHEELS:* 1500 mm dia. n° 5+5+5+5 grooves with thermally treated steel system suitable for 1, 2, 3 or 4 conductors up to 40 mm dia. and pulling rope 28 mm dia.

*ENGINE:* - Diesel engine 353 HP / 260 kW liquid cooling version with electrical starter device

*FEATURES:* - Heat exchanger for oil cooling, frame structure incorporate hydraulic oil / diesel tanks, front share with towing bar and earthing rod, rear stabilizers hydraulically controlled and cable guiding rollers device

*TRANSPORT:* - Rigid axle with tyres suitable for towing up to 30 Km/h*LIFTING:* - Upper lifting attachment point balanced type and anchoring attachments*WEIGHT:* 16.500 Kg approx*DIMENSIONS:* 5550x2500x2500 mm